



GENERAL INFORMATION

The Source Four Mini LED can go where no full-sized Source Four® has gone before. ETC's 12W Source Four Mini LED features the same crisp optics, user-friendly functionality and sleek look of the legendary Source Four fixture, but in a compact format at a fraction of the size.

The Source Four Mini LED has four field-angle choices and comes in a portable version with a miniature C-clamp and a canopy-mount or track-mount design. Surprisingly bright for its size, the Mini LED offers crystal-clear image projection and a bright, even field.

VENUES

- Museums
- Retail stores
- Restaurants
- Lobbies
- Light labs
- Theaters

FEATURES

- Rugged, die-cast fixture body
- Interchangeable lens tubes permit selection of 19°, 26°, 36° and 50° field angles
- Uniquely efficient optical system
- Long-life dimmable white LED source in two CRI values
  - Source Four Mini LED: 80+ CRI
  - Source Four Mini LED Gallery: 90+ CRI
- Three-plane shutters
- Multiple accessories available for color, pattern, and filtering
- Multiple mounting options: C-clamp, canopy and track
- Custom paint colors available; contact ETC

GENERAL

- ETL listed to the following standards
  - Portable UL/cUL153
  - Track mount UL/cUL1574
  - Canopy mount UL/cUL1598

ORDERING INFORMATION

Source Four Mini LED

MODEL	DESCRIPTION
4M19L	19° Source Four Mini LED (black)
4M26L	26° Source Four Mini LED (black)
4M36L	36° Source Four Mini LED (black)
4M50L	50° Source Four Mini LED (black)
*G	90+ CRI Gallery version
<b>COLOR OPTIONS</b>	
-1	White
-5	Silver

Additional Ordering Information

MODEL	DESCRIPTION
N/A	Portable
-I	Install canopy mount
-T	Track mount adapter
Global or Halo Compatible Adapters	Available with Global Trac Pro (GA69) or Halo compatible (AD1)** adapters upon request

Example: 4M19L-1T for a Source Four Mini LED with a 19° lens in white with a track-mount adapter

\*\*AD1 Track adapter is compatible with Halo single circuit and two circuit track systems.



## SPECIFICATIONS

## PHYSICAL

- Die-cast aluminum construction (A380 grade)
- Fine-texture, high-temperature powder-coated paint
- Steel yoke with 0.406" diameter mounting hole
- Rotating shutter assembly  $\pm 175^\circ$
- E-size gobo pattern holder (included)
  - 37.5mm with a 25.4mm image area
  - Holds patterns up to .05" thick (1.27mm)
- Stainless steel, full hard shutters in a tri-plane assembly, 0.40mm (A301 grade)
- Fixed-beam angles to suit a range of throw distances
- Tool-free tilt and beam adjustment
- High-impact resistant, thermally insulated knobs and shutter handles
- Captive accessory slot for pattern holder (included)
- Dual captive accessory slots for media frame (included)
- Portable -
  - Yoke-mounted LED driver in color-matched enclosure (black adapter for silver fixtures)
  - Miniature C-clamp mounting (included)- for use with 3/8" to 1" pipe (0.675" to 1.315" OD)
  - 6'6" power cable with NEMA 5-15P connector
- Install canopy -
  - Color-matched, powder-coated canopy mount with LED driver (included)
  - Canopy dimensions: 5.31" (W) x 1.04" (H)
  - Installation hardware included
  - Fixture to canopy factory pre wired for easy install
  - Built-in rotation stop to prevent cable damage
- Track mount -
  - Compatible and ETL-listed for EUTRAC brand track
  - EUTRAC (#98-549) two-circuit track adapter included
  - LED factory-installed in color-matched adapter (black adapter for silver fixtures)
  - For ceiling mount installations only
- Black or white power lead
- IP20 for Portable and Canopy versions
- IP40 for Track version

## ELECTRICAL

- Power at full intensity: 12W typical, 14W max
- 18 AWG input wire size
- Input voltage options:
  - 90-135V, 50/60Hz
  - 190-250V, 50/60Hz
- Dimmable (forward and reverse phase)
- Inrush (first half-cycle)
  - 120V: <1A
  - 240V: <1A

## SPECIFICATIONS (CONT.)

## LAMP

- Cree LED (Available in 80+ and 90+ CRI)
- Long-life lamp: 35,000 hours L70 lumen maintenance
- 3000K color temperature

## OPTICAL

- Fixed-beam options of 19°, 26°, 36° and 50° field angles
- Projector-quality, high-contrast lenses
- Beam edge continually adjustable hard to soft

## THERMAL

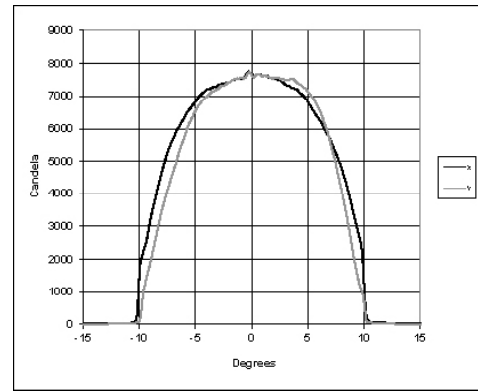
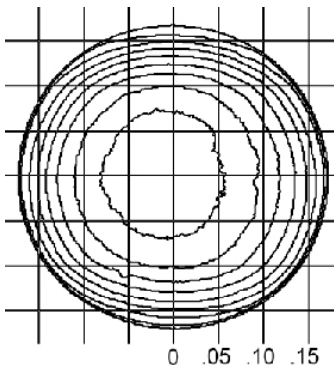
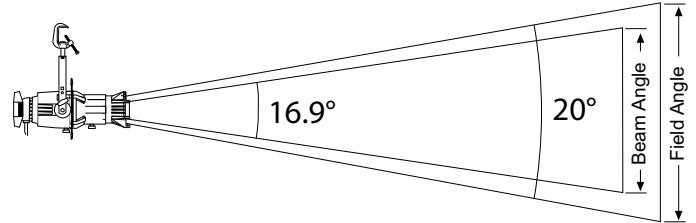
- 0°C to +40°C

PHOTOMETRY

19 degree

FIELD LUMENS	BEAM LUMENS	BEAM ANGLE	FIELD ANGLE	CANDELA	LUMENS PER WATT
488	400	16.9	20.0	7,830	37

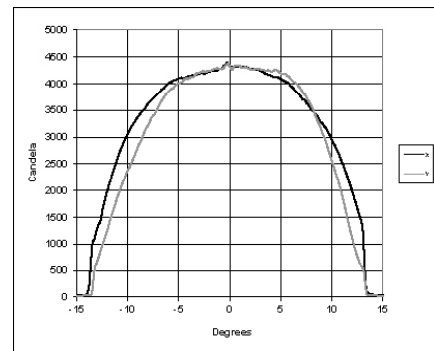
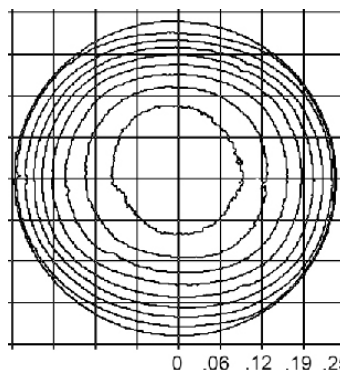
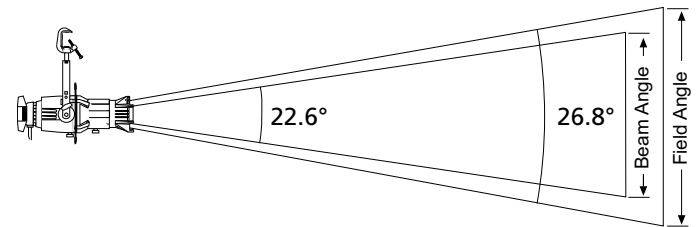
THROW DISTANCE	10ft 3.0m	15ft 4.6m	20ft 6.1m	25ft 7.6m
FIELD DIAMETER	3.5ft 1.1m	5.3ft 1.6m	7.1ft 2.1m	8.8ft 2.7m
ILLUMINANCE (FC)	78	35	20	13
ILLUMINANCE (LUX)	843	375	211	135



26 degree

FIELD LUMENS	BEAM LUMENS	BEAM ANGLE	FIELD ANGLE	CANDELA	LUMENS PER WATT
490	399	22.6	26.8	4,440	37.1

THROW DISTANCE	10ft 3.0m	15ft 4.6m	20ft 6.1m	25ft 7.6m
FIELD DIAMETER	4.8ft 1.5m	7.1ft 2.2m	9.5ft 2.9m	11.9ft 3.6m
ILLUMINANCE (FC)	44	20	11	7
ILLUMINANCE (LUX)	478	212	119	76

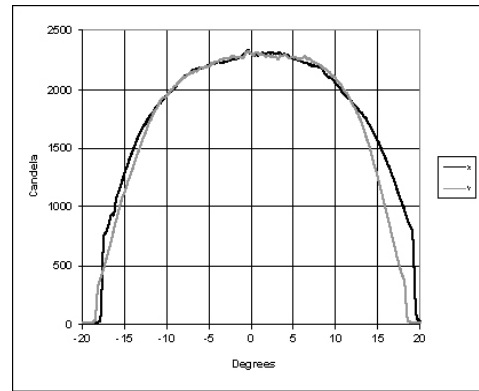
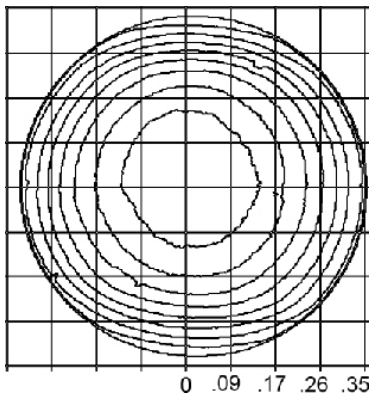
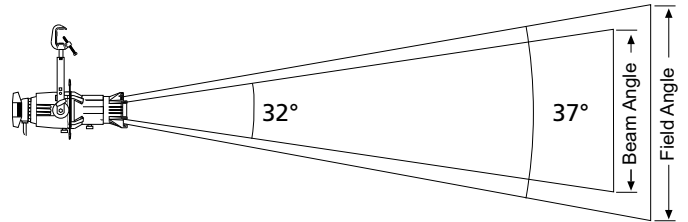


PHOTOMETRY

36 degree

FIELD LUMENS	BEAM LUMENS	BEAM ANGLE	FIELD ANGLE	CANDELA	LUMENS PER WATT
517	412	32.0	37.0	2,350	39.1

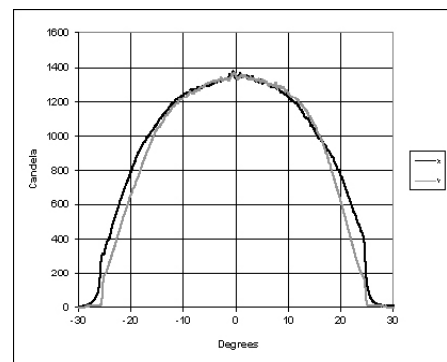
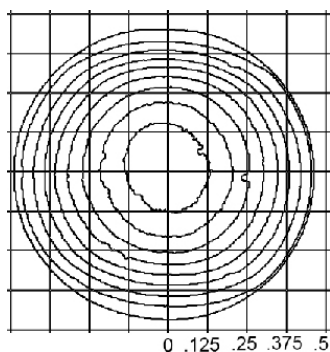
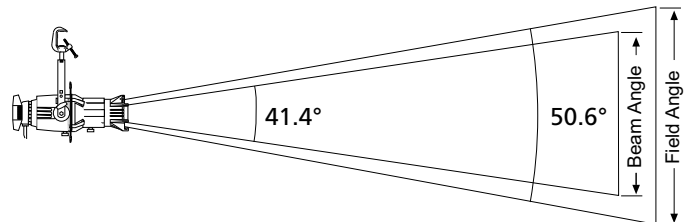
THROW DISTANCE	10ft 3.0m	15ft 4.6m	20ft 6.1m	25ft 7.6m
FIELD DIAMETER	6.7ft 2.0m	10.0ft 3.1m	13.4ft 4.1m	16.7ft 5.1m
ILLUMINANCE (FC)	24	10	6	4
ILLUMINANCE (LUX)	253	112	63	40



50 degree

FIELD LUMENS	BEAM LUMENS	BEAM ANGLE	FIELD ANGLE	CANDELA	LUMENS PER WATT
517	369	41.4	50.6	1,384	39.1

THROW DISTANCE	10ft 3.0m	15ft 4.6m	20ft 6.1m	25ft 7.6m
FIELD DIAMETER	9.5ft 2.9m	14.2ft 4.3m	18.9ft 5.8m	23.6ft 7.2m
ILLUMINANCE (FC)	14	6	3	2
ILLUMINANCE (LUX)	149	66	37	24

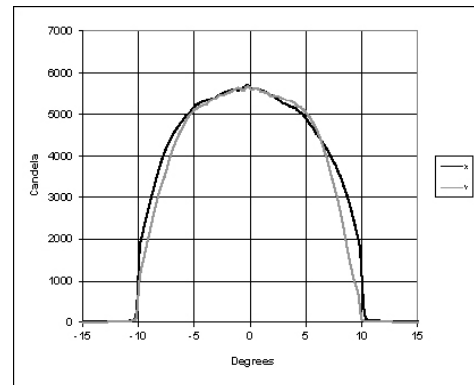
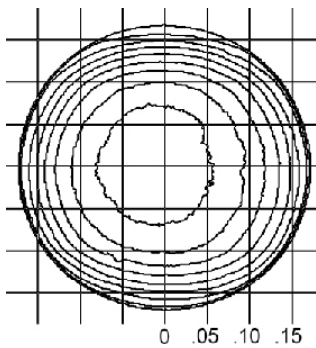
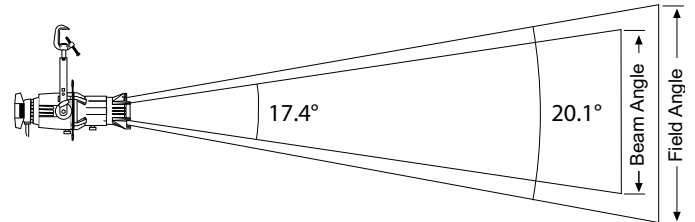


PHOTOMETRY

19 degree Gallery

FIELD LUMENS	BEAM LUMENS	BEAM ANGLE	FIELD ANGLE	CANDELA	LUMENS PER WATT
374	311	17.4	20.1	5,752	29.4

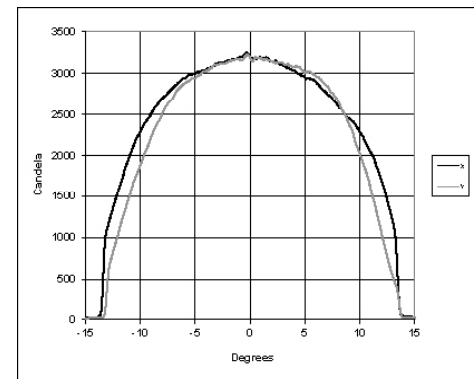
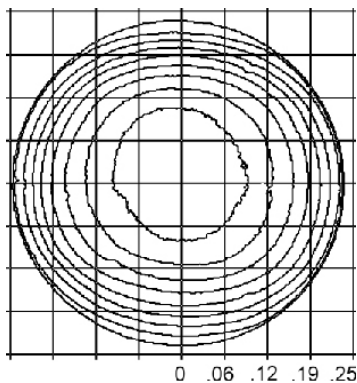
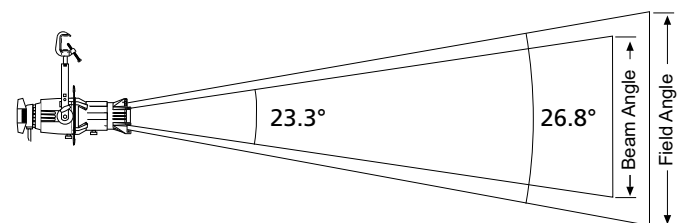
THROW DISTANCE	10ft	15ft	20ft	25ft
	3.0m	4.6m	6.1m	7.6m
FIELD DIAMETER	3.5ft	5.3ft	7.1ft	8.9ft
	1.1m	1.6m	2.2m	2.7m
ILLUMINANCE (FC)	58	26	14	9
ILLUMINANCE (LUX)	619	275	155	99



26 degree Gallery

FIELD LUMENS	BEAM LUMENS	BEAM ANGLE	FIELD ANGLE	CANDELA	LUMENS PER WATT
376	311	23.3	26.8	3,270	29.6

THROW DISTANCE	10ft	15ft	20ft	25ft
	3.0m	4.6m	6.1m	7.6m
FIELD DIAMETER	4.8ft	7.1ft	9.5ft	11.9ft
	1.5m	2.2m	2.9m	3.6m
ILLUMINANCE (FC)	33	15	8	5
ILLUMINANCE (LUX)	352	156	88	56

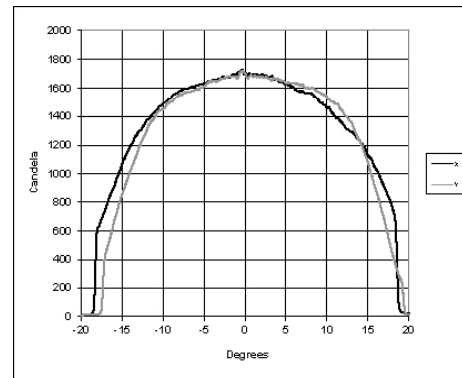
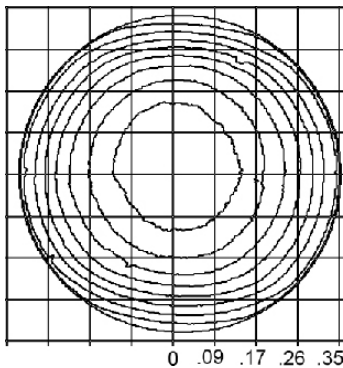
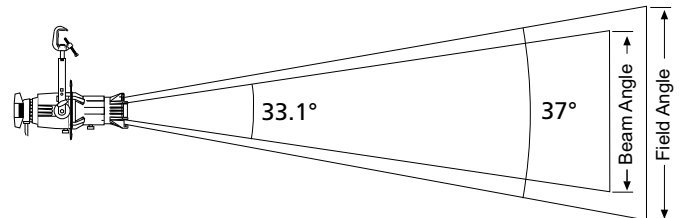


PHOTOMETRY

36 degree Gallery

FIELD LUMENS	BEAM LUMENS	BEAM ANGLE	FIELD ANGLE	CANDELA	LUMENS PER WATT
391	320	33.1	37.0	1,730	30.8

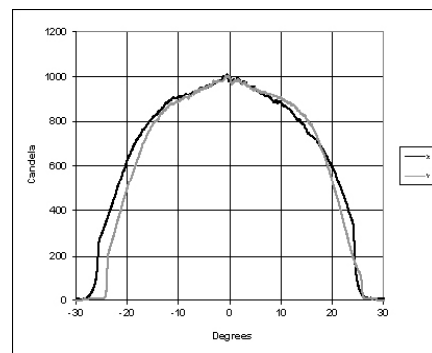
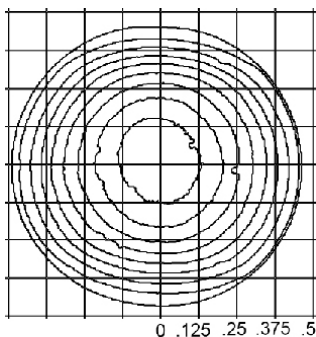
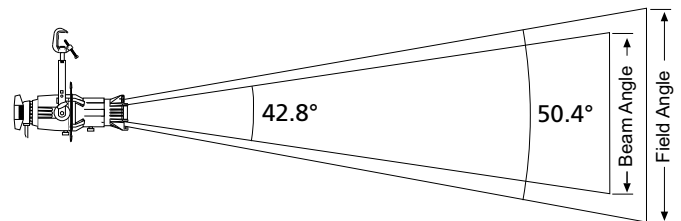
THROW DISTANCE	10ft 3.0m	15ft 4.6m	20ft 6.1m	25ft 7.6m
FIELD DIAMETER	6.7ft 2.0m	10.0ft 3.1m	13.4ft 4.1m	16.7ft 5.1m
ILLUMINANCE (FC)	17	8	4	3
ILLUMINANCE (LUX)	186	83	47	30



50 degree Gallery

FIELD LUMENS	BEAM LUMENS	BEAM ANGLE	FIELD ANGLE	CANDELA	LUMENS PER WATT
389	286	42.8	50.4	1,010	30.7

THROW DISTANCE	10ft 3.0m	15ft 4.6m	20ft 6.1m	25ft 7.6m
FIELD DIAMETER	9.4ft 2.9m	14.1ft 4.3m	18.8ft 5.7m	23.5ft 7.2m
ILLUMINANCE (FC)	10	4	3	2
ILLUMINANCE (LUX)	109	48	27	17



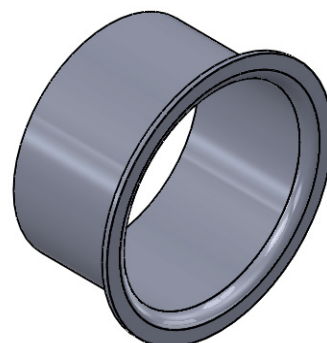
## PHOTOMETRY

LED	MULTIPLYING FACTOR
3000K 80CRI	1.0
3000K 90 CRI	0.736
4000K 80 CRI	1.0
5000K 80 CRI	1.07

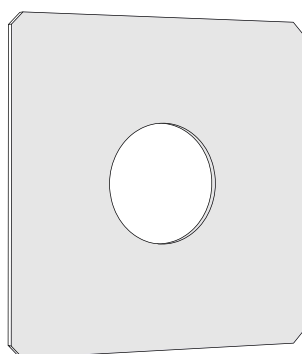
The multiplying factors should be used with all candela data, such as IES files and can also be used with lumen data.

ACCESSORIES

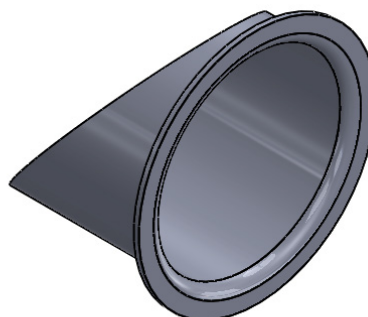
MODEL	DESCRIPTION
4MPH	Pattern holder
4MCF	Color frame
4MD	Donut
4MTH	Top hat
4MTHS	Top hat short
4MHH	Half hat
4MHHS	Half hat short



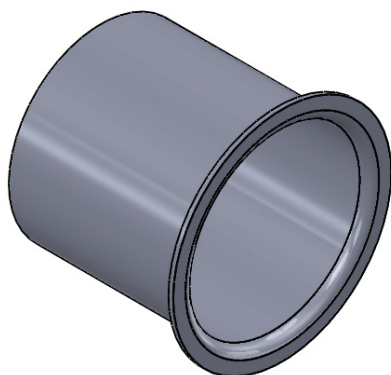
**4MTHS - TOP HAT SHORT**



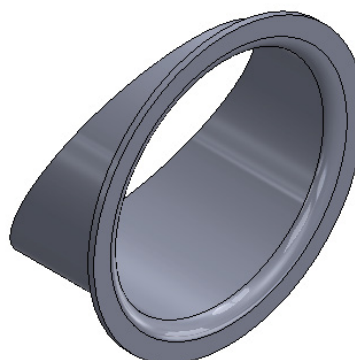
**4MD - DONUT**



**4MHH - HALF HAT**



**4MTH - TOP HAT**



**4MHHS - HALF HAT SHORT**

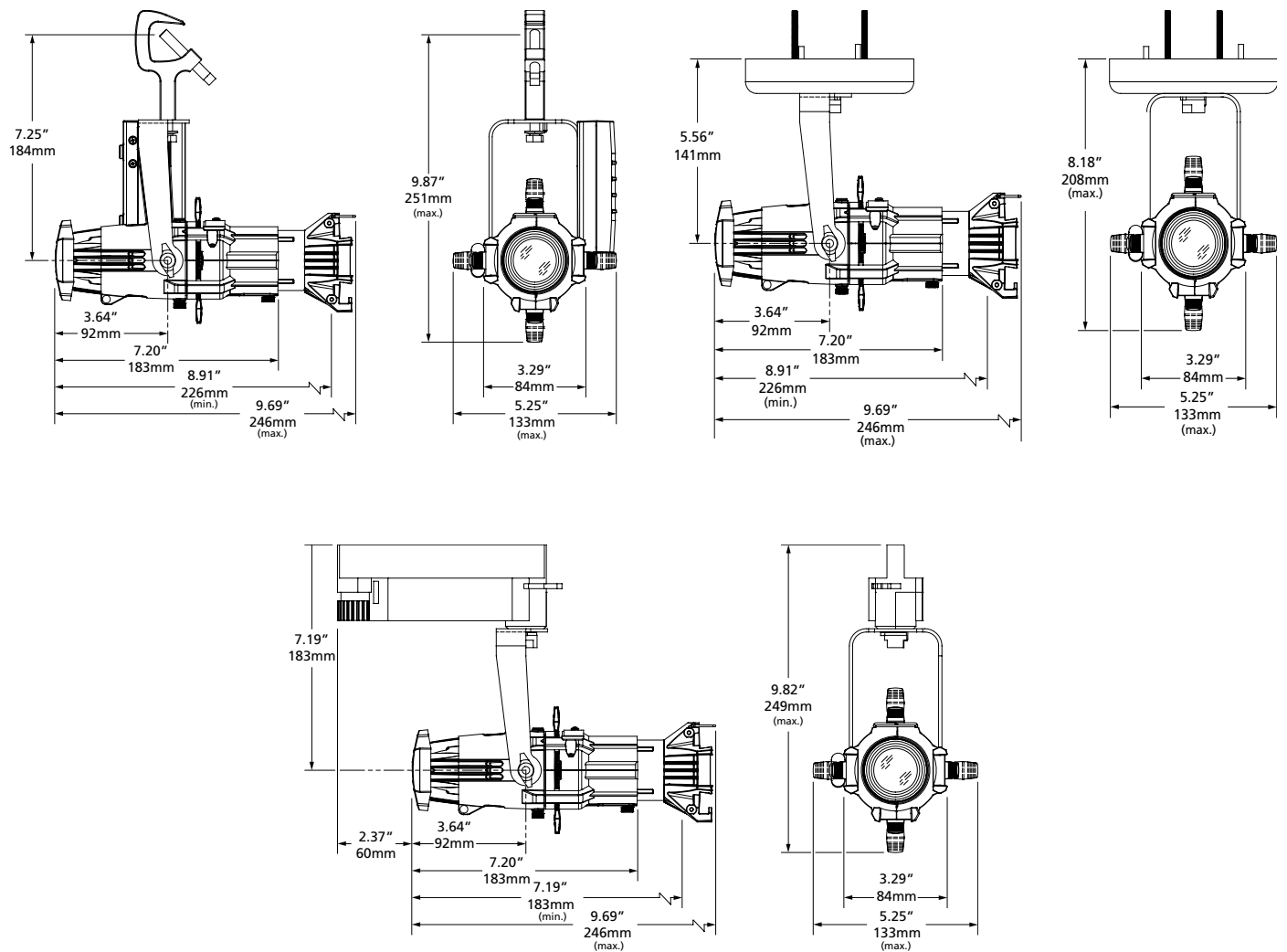


PHYSICAL

Source Four Mini LED Weights and Dimensions

	WEIGHT		SHIPPING WEIGHT	
	lbs.	kgs	lbs	kgs
Portable	2.7	1.2	3.8	1.7
Install Canopy	2.6	1.2	3.7	1.7
Track Mount	2.4	1.1	3.6	1.6

\*Shipping Dimensions: TBD



Corporate Headquarters • 3031 Pleasant View Rd, PO Box 620979, Middleton WI 53562 0979 USA • Tel +1 608 831 4116 • Fax +1 608 836 1736

London, UK • Unit 26-28, Victoria Industrial Estate, Victoria Road, London W3 6UU, UK • Tel +44 (0)20 8896 1000 • Fax +44 (0)20 8896 2000

Rome, IT • Via Pieve Torina, 48, 00156 Rome, Italy • Tel +39 (06) 32 111 683 • Fax +44 (0)20 8752 8486

Holzkirchen, DE • Ohmstrasse 3, 83607 Holzkirchen, Germany • Tel +49 (80 24) 47 00-0 • Fax +49 (80 24) 47 00-3 00

Hong Kong • Room 1801, 18/F, Tower 1 Phase 1, Enterprise Square, 9 Sheung Yuet Road, Kowloon Bay, Kowloon, Hong Kong • Tel +852 2799 1220 • Fax +852 2799 9325

Web • www.etcconnect.com • Copyright©2016 ETC. All Rights Reserved. All product information and specifications subject to change. 7063L1003 Rev. J USA 04/2016

U.S. and international patents pending.